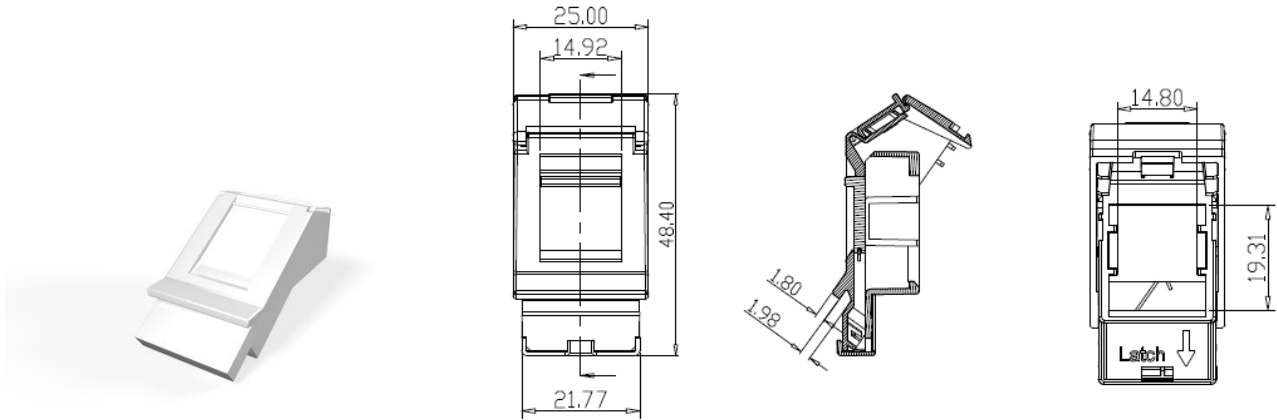


Draka UC^{Connect} ACC

LJ6C Angled Single Adaptor 38 x 25



Technical data

| Material Code | Material Description | Description Code | Weight | Items per Packaging Unit |
|-------------------------|--|--------------------|--------|--------------------------|
| 1021338 | YAABP00132 LJ6C Angled Single Adaptor 38 x 25 | UC CACC AA 01 6C | 8g | 1 or 50 |
| Related Products | | | | |
| Material Code | Material Description | Description Code | Weight | Items per Packaging Unit |
| 1021331 | YFPBP00125 Single port UK frame 86x86 (LJ6C Type) | UC CACC FP 01 6C | 8g | 1 or 50 |
| 1021332 | YFPBP00126 Dual port UK frame 86x86 (LJ6C Type) | UC CACC FP 02 6C | 8g | 1 or 50 |
| 1021270 | YMJBP00103 Cat6A FTP Keystone Jack 180° Toolless in Silver | UC C500 MJ TF S | 22g | 1 or 50 |
| 1021261 | YMJBP00096 Cat.6 FTP Keystone Jack 180° Toolless in Silver | UC C400 MJ TF S | 11,7g | 1 or 50 |
| 1021262 | YMJBP00097 Cat6 UTP Keystone Jack 180° Toolless Black | UC C400 MJ TF U BK | 8g | 1 or 50 |
| 1021252 | YKJBP00091 Cat5e UTP Keystone Jack 180° Toolless Black | UC C300 MJ TF U BK | 8g | 1 or 50 |

© PRYSMIAN GROUP 2013, All Rights Reserved

All sizes and values without tolerances are reference values. Specifications are for product as supplied by Prysmian Group: any modification or alteration afterwards of product may give different result.

The information contained within this document must not be copied, reprinted or reproduced in any form, either wholly or in part, without the written consent of Prysmian Group. The information is believed to be correct at the time of issue. Prysmian Group reserves the right to amend this specification without prior notice. This specification is not contractually valid unless specifically authorised by Prysmian Group.